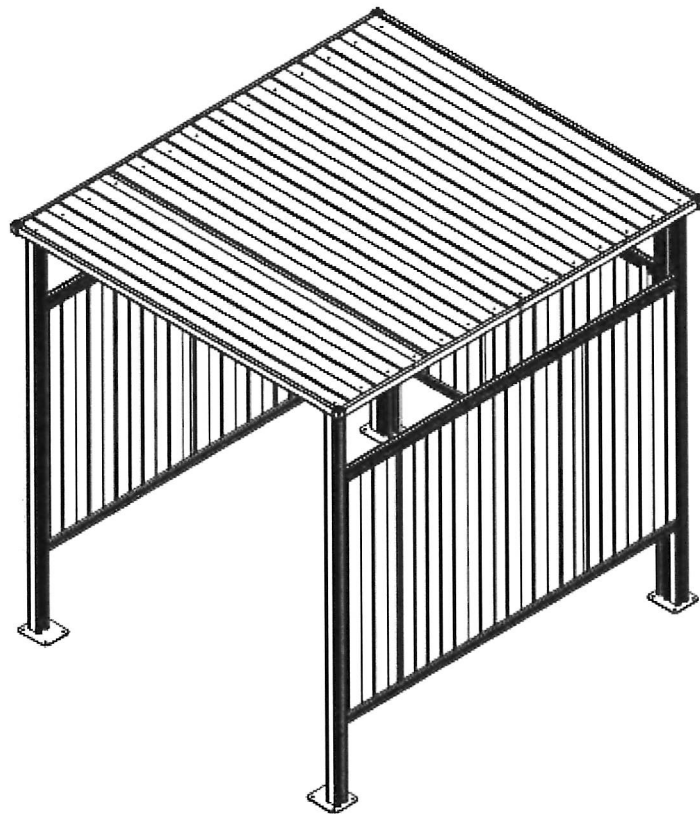


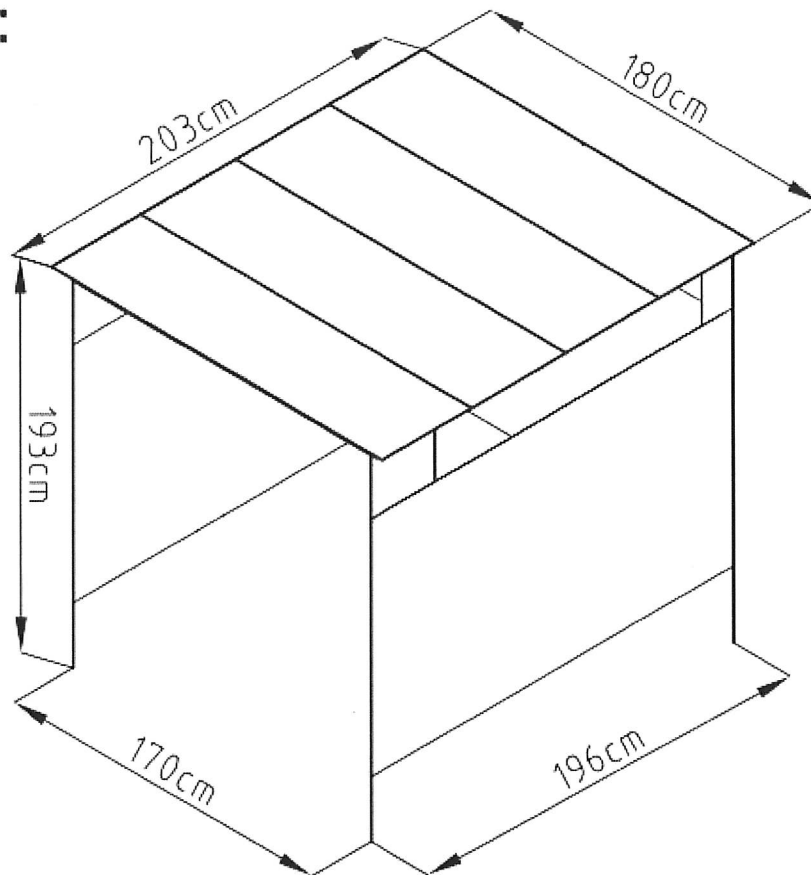
---

# Metal Shed

OWNER'S MANUAL /  
Instructions for Assembly



**Size:**



**Area of installation requirement:**

